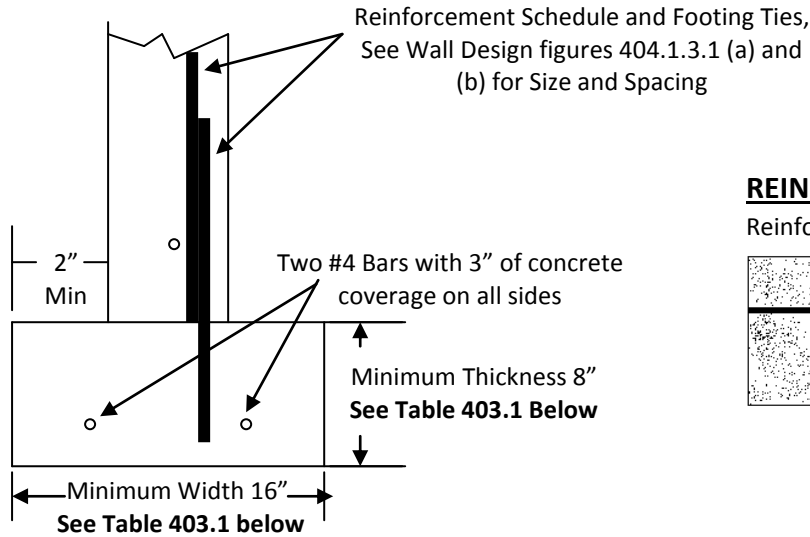




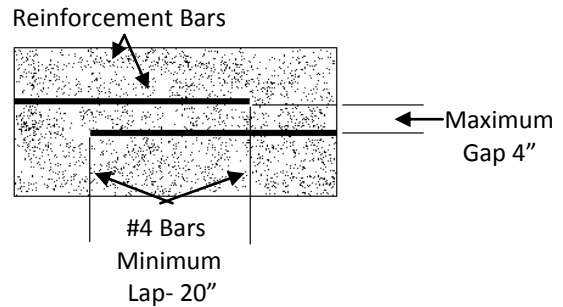
# Building Guide

## ILLOWA Chapter of ICC

### Footing Design



#### REINFORCEMENT SPLICE DETAIL



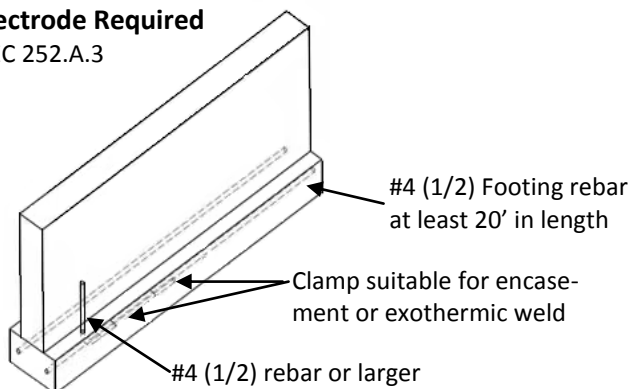
**Table 403.1 As Amended Wall & Footing Design**

| # Floors supported by foundation                                      | Minimum Thickness of Foundation Walls |         | Minimum Footing Width | Minimum Footing Thickness | Minimum Depth Below Finished Grade |
|---|---------------------------------------|---------|-----------------------|---------------------------|------------------------------------|
|   | Concrete                              | Masonry |                       |                           |                                    |
| <b>Conventional Light frame Construction</b>                          |                                       |         |                       |                           |                                    |
| 1-Story   | 8"                                    | 8"      | 16"                   | 8"                        | 42"                                |
| 2-Story   | 8"                                    | 8"      | 16"                   | 8"                        | 42"                                |
| 3-Story   | 10"                                   | 10"     | 20"                   | 10"                       | 42"                                |
| <b>4" Brick Veneer Over Light Frame or 8" Hollow Concrete Masonry</b> |                                       |         |                       |                           |                                    |
| 1-Story   | 10"                                   | 10"     | 20"                   | 10"                       | 42"                                |
| 2-Story   | 10"                                   | 10"     | 21"                   | 10"                       | 42"                                |
| 3-Story   | 10"                                   | 10"     | 32"                   | 12"                       | 42"                                |
| <b>8" Solid or Fully Grouted Masonry-</b>                             |                                       |         |                       |                           |                                    |
| Walls over 9 ft require engineering, See Figure 404.1.3.1(a)          |                                       |         |                       |                           |                                    |

#### Concrete Encased Grounding

##### Electrode Required

NEC 252.A.3



#### Trench Footing

